

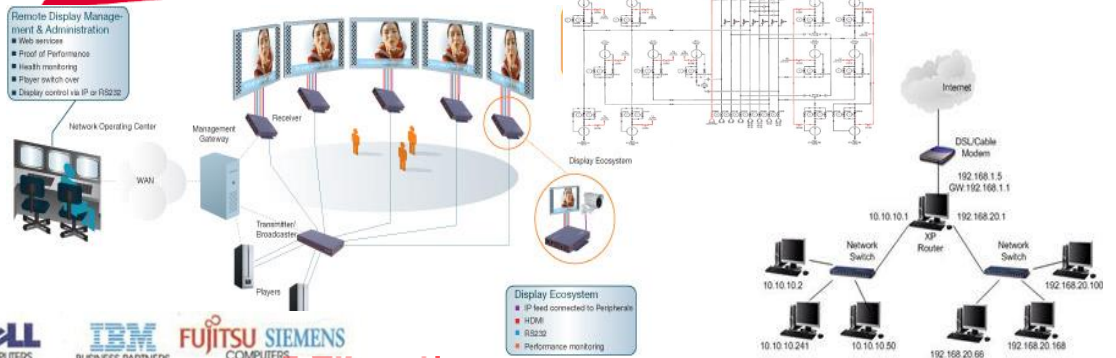
PROVIDERS OF ENGINEERING & IT SOLUTION



GAJMEK Engineering Ghana Limited



Avery Weigh-Tronix



DELL COMPUTERS

IBM BUSINESS PARTNERS

FUJITSU SIEMENS COMPUTERS

HEWLETT PACKARD PRINTERS

Tally PRINTERS

EPSON PRINTERS

Kawasaki COMPUTABLE WORKOUT WINDOWS

victrol UPS

APC UPS

LANIER FAX MACHINES & COPIERS

SEYSTONE

KnowledgePool TRAINING & TRAINING MATERIAL

ascom DIGITAL PHONES ASCOFEL PABX SYSTEM

Exact software ACCOUNTING SOFTWARE

SERVER SOFTWARES WINDOWS NT NOVELL NETWORK SCO UNIXWARE LINUX

OFFICE APPLICATIONS LOTUS NOTES MS OFFICE



Site safety

- All visitors must report to site office
- All accidents must be reported immediately
- Wear hard hats
- High visibility jackets must be worn in this area
- Protective footwear must be worn
- Warning: Deep excavations
- Warning: Dangerous pits, trenches and shanks of the diggers of starting this site
- Warning: Heavy plant and machinery operate on site
- Children must not play on this site
- Unauthorized entry to this site is strictly forbidden

Tel: 0501517982
 Website: www.halmecengineering.com
 Email: info@gajmecengineering.com

I.T. SOLUTIONS

- 1 Designing and Implementation of Local/wide Area Network Infrastructure. (LAN/WAN)
- 2 **Industrial Software/Application Cloning**
- 3 Digital Signage
- 4 Access Control Unit (Swap / touch card and Biometric)
- 5 Installation of Security Cameras (CCTV)
- 6 Fire System
- 7 Web Design and Hosting
- 8 Corporate/Executive Training

ENGINEERING SOLUTIONS

- 1 Electrical Panel Wiring, Installation and device configuration.
- 2 High Voltage to Low Voltage Installations
- 3 Servicing and Installations of HV and LV Transformers
- 4 Domestic Wiring and Installations
- 5 Maintenance of Domestic and industrial Equipment
- 6 Industrial Piping and Trunking installation and maintenance
- 7 Weighbridge Installation and calibration
- 8 Installation of Pumps, Valves and Reducers

GENERAL SERVICES

- 1 Sales of Welding Equipment and accessories including Electrodes
- 2 Sales of Personal Protective Equipment (PPE), Caution Signs, and Safety Awareness Training
- 3 Sales of Industrial Equipment and Parts (Electrical& Mech.)
- 4 Sales of all I.T & Communication Accessories

HENGL

Contents

1. Introduction.....	3
2. Vision statement.....	3
3. Core value.....	3
4. I.T Solution.....	4
LAN & WAN Infrastructure design and implementation.....	4
Cooperate Training.....	4
CCTV, Biometric and Access control.....	5
Software & Database Development	5
Website design and hosting services.....	5
Digital Signage.....	6
5. I.T/Communication Accessories.....	7
6. Engineering Solution.....	9
7. Electrical Specialties.....	10
Electrical Panel Wiring and Installation.....	10
High Voltage to Low Voltage Installation.....	10
Wiring, Installations, Maintenance of Electrical Equipment.....	10
Servicing and Installations of HV and LV Transformers.....	11
8. Mechanical Specialties.....	11
Industrial Piping Installation and Maintenance.....	12
Weight Bridge installation.....	12
9. Personal Protective Equipment (PPE's) and Caution Signs.....	13
10. Conclusion.....	14
11. Reference.....	14

INTRODUCTION

With over 5 years' experience in the information technology and engineering field as a service provider, we have come to accept that the values and standards we hold are means to achieve high standards in the industry. To continuously offer the best service and precision in information technology, weight bridge installation, electrical engineering and other engineering services and design, we employ the best solutions to meet our client satisfaction.

MISSION STATEMENT

Provides affordable engineering and ICT solutions through innovative and quality customer service and focused on safety and timely delivery of supporting customer's vision to the attainment of its target and Standard.

VISION STATEMENT

To be a leading provider a comprehensive range of Engineering Consultancy, Welding and Fabrication, Supplies of Engineering and IT accessories, solutions and consumable in the Production and Marine industries as well as other engineering and IT engagement.

CORE VALUES

GAJMEK has a core value Statement which is the RESPECT Principle

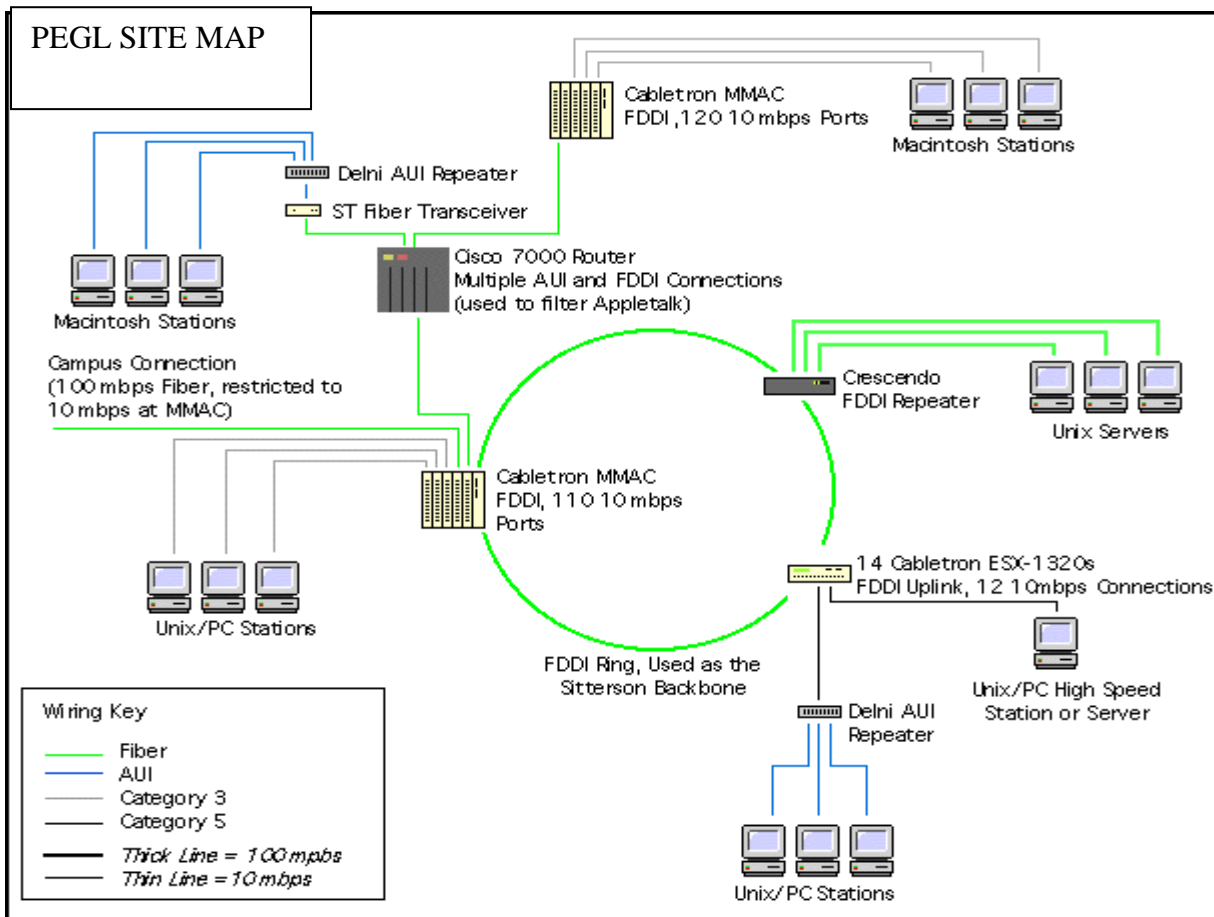
- Respect for Internal and External Customer's goal
- Efficiency in operations (On-time deliveries without defects)
- Safety and Quality (Anticipating customer need and Exceeding their standards)
- Privacy, Respecting and protecting customer details at top notch secrecy.
- Excellency in operation, through innovation, creative and respect for company's integrity
- Customer success is topmost priority (Success of GAJMEK depends on the success of the customers)
- Team Work, GAJMEK believe in giving back to the society through training of local employees in self-management, which give the raise of good team-work and entrepreneurship.

SERVICES

I.T SOLUTIONS

✚ Designing and Implementing of LAN (local area network) & WAN (Wide Area Network) Infrastructure.

Gajmek Engineers analyze the architecture of the organization, and advice on a comprehensive plan and set up for the entire networking infrastructure. The implementation will include Radio installations with excellent line of sight, trunking, wiring, server installation and all necessary communication connections, security and permissions.



CLONING SERVICE

Disaster recovery has been a day-to-day demand in the world of ICT and automated application. There are several approaches for disaster recovery, but have you tried Cloning?

Cloning is just a matter of creating a replica of the original system. Therefore, you need GAJMEK Cloning Services...

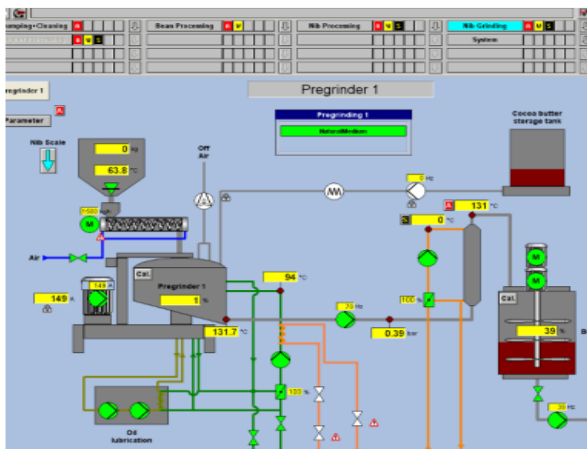
At GAJMEK, we clone:

1. Organization Servers running all server application which include file services, Active directory, Financial application, WINS.
2. Plant Process Flow application on Servers, Engineering Stations and Operation systems.
3. Weighing Bridge Application etc.

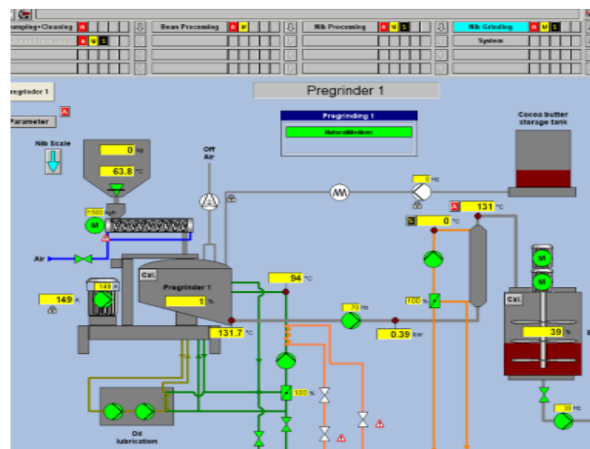
GAJMEK Engineers consults on cloning option and advise customer based on their setup and risks.

• **Benefits of the Cloning:**

The clone will be done on a Backup SATA Drive so therefore if there is a crash (unredeemable problem) on the main hard drive the clone is quickly inserted with less downtime as well as recovery of data. It is also financially reasonable as compared to the orthodox especially if your system is not very dynamic. Finally, it will limit external intervention as maintenance will be locally done. Further reducing cost of maintenance and increasing reliability.



Original Process Flow



Clone copy

CORPORATE TRAINING.

GAJMEK in collaboration with the industries best IT training consultant and training all over the world delivers top notch contents on the below application packages

- MS-Word – Elementary, Intermediate and Advance Training
- MS- Excel - Elementary, Intermediate and Advance Training
- MS-Access - Elementary, Intermediate and Advance Training
- MS-Power point - Elementary, Intermediate and Advance Training
- MS-Project Management - Elementary, Intermediate and Advance Training

✚ Installation of Security Cameras (CCTV), Access Controls & Biometric

We install affordable and quality:

1. High resolution Panoramic (Fisheye), PTZ, IP Cameras, fix focus / Dom Cameras with several range of mega pixels,
2. Biometric Device for attendance purposes.
3. Intrusion Alarm devices and many more



✚ Software/Database Development

GAJMEK Engineers provides flexible AND a well centralized CRUX ERP software's base upon client's requirement. Software developed will also be managed by us base on terms and agreement. We also provide support and develop database in oracle, SQL Server, Db2, Postgresql, mysql and etc

✚ Website Designing & Hosting Services

GAJMEK Engineers will design website base upon client's requirement. Website designed will also be managed and hosted by us based on terms and agreement. Below is the web service lineout.

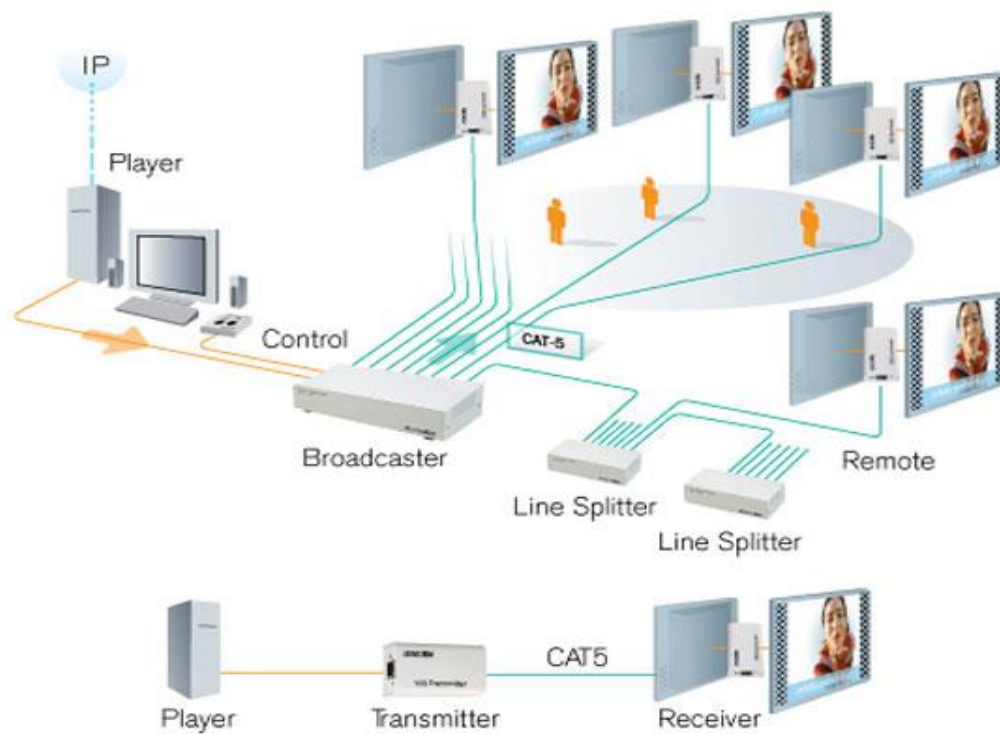
1. Website design
2. Webhosting and maintenance
3. Content Management System
4. Web search optimization
5. E-Advertising
6. Email setup and maintenance
7. Domain registration

✚ DIGITAL SIGNAGE

No other medium makes it possible to deliver compelling content at the right location at the right time for maximum impact. It works whether your goal is to:

- Increase sales and profits.
- Inform, educate, notify, or alert.
- Encourage certain behaviour.
- Satisfy customers or employees.
- Improve business processes.

People on the go often overlook or ignore posters, flyers, and other traditional printed signage. Strengthen your marketing, as well as your internal communications by replacing boring static signage with eye-catching digital Signage in lobbies, waiting rooms, or any place frequented by your target audience.



Below are few of our IT/Communication Accessories:

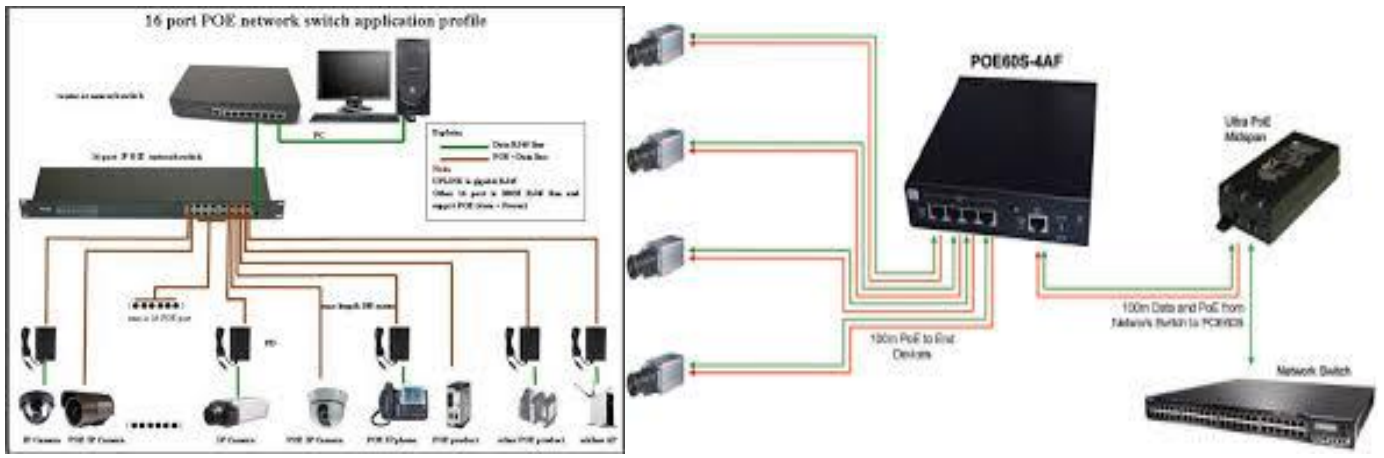


Location: Tema Michel Camp 4 Pools. P. O. Box CO 1475Tema. **Takoradi**. P.O.Box MC 103 Takoradi.
0501517982. www.halmecengineering.com; info@halmecengineering.com.



Wifi switch, 100/1000 switch, cisco switches and routers, RS485 RS 232 connectors, Laptops, desktops NANO STATIONS, RADWIN and many more.....



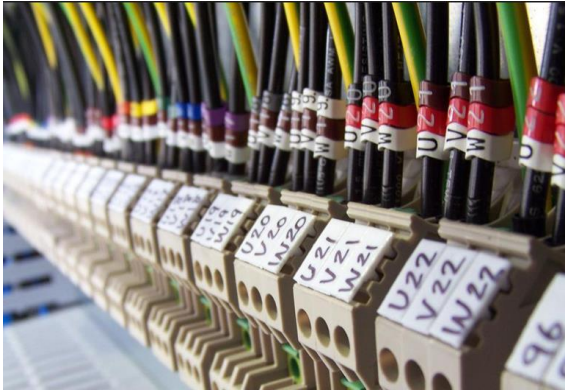


POE for effective CCTV's installation

ENGINEERING SOLUTION

OUR ELECTRICAL SPECIALTIES INCLUDE:

- Electrical Panel Wiring and Installation



GAJMEK has excellent specialties in the field of Panel Board Installation Services. Our experienced team can install wide range of electric panels and distribution boards which are useful for protecting any electrical circuit from getting damaged due to overload or short circuit.

There are many industrial sites where management are unaware that their existing 3 phase systems are perhaps old, possibly overloaded, and not to current IEE Wiring and HSE Regulations. We install Panel Boards, Trunking and all types of 3 phase installations. Why not invite our services for an inspection?

- High Voltage to Low Voltage Installation



GAJMEK - Experienced across a wide range of technologies and components in Medium and High Voltage applications including switchgear, power transmission equipment, protection relays, circuit breakers, surge arrestors, insulators, monitoring systems, sub-stations and control systems.

- Servicing and Installations of HV and LV Transformers



The integrity of any electrical installation once established cannot simply be taken for granted. Every electrical system, no matter how good the initial installation, undergoes changes and deterioration throughout its lifetime.

In many cases these changes are not formally planned and managed, and their cumulative effect on the overall installation can give rise to problems.

MECHANICAL SERVICES

GAJMEK Engineers provides a wide range of mechanical services including:

Industrial Piping and Trunking Installation and Maintenance

GAJMEK Engineers are subject matter experts of all pipes welding works to all standard from the food industries to the chemical production and transportation industries. GAJMEK Engineers provides expertise in pipe design, material selection, Fabrication, Installation, Inspection and final testing. We also provide supports in repair and retrofitting.

We form great capabilities in Piping and tubing works with any size or length for all sources of products including hazardous systems such as toxic chemicals, high pressure steam, Petrochemicals, and petroleum process.



GAJMEK Engineers are certified and qualified to perform the above layout and pipe system fabrication to the below industrial standard

- ASME section I (S&A)
- ASME Section VIII Division 1 & 2 (U & U2)
- NBIC Repairs (R)
- B31.1 Power
- B31.2 Fuel Gas
- B31.3 Process
- AWWA
- API

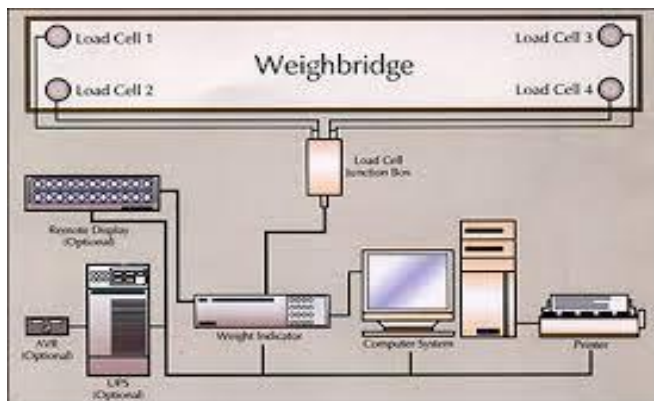
✚ INSTALLATION OF PUMPS, VALVES AND REDUCERS

GAJMEK Engineers perform free consultation in Valve selection. We are currently a brand representative of a world class pump, valve and reducer manufacturer. We deliver high quality, efficient and safety valves.



✚ WEIGHBRIDGE INSTALLATION

We are suppliers of Avery Weigh-Tronix weighbridges. Avery Weigh-Tronix weighbridges weigh vehicles dependably and accurately, even in tough industrial environments. Each weighbridge is built to last with a rugged design, robust weight sensors and high-quality manufacturing – all backed by industry-leading warranty options.



✚ WELDING FABRICATION AND ACCESSORIES

GAJMEK engineers provides a wide ranges of steel pipes, welding machines and accessories including

- Welding electrodes,
- rods,
- flux
- welding equipment
- Welding Protective Equipment.

- WELDING MACHINES

Our specialist give advice on the machines type selection, Economic advantages and HSE effects on the users and the environment. Below are the 4 types of welding machines we deliver.

Welding Machine Types

- Mig Welding Machine

Location: Tema Michel Camp 4 Pools. P. O. Box CO 1475 Tema. Takoradi. P.O.Box MC 103 Takoradi. 0501517982. www.halmecengineering.com; info@halmecengineering.com.

- Tig Welding Machine
- Spot Welding Machine
- Plastic Welding Machine.

We also representative of 2 of top manufacturers in Europe and America, our welding machines are used in all known automobile and construction companies globally.

- **WELDING ELECTRODE, RODS AND FLUX.**

Our specialist can define the best and most suitable electrode based on material specification and industry field. We also representative of one of top experts in Europe, our electrodes are used in all known automobile and construction companies. With modern and automation production facilities of welding wire we are producing improved high-quality products by highest standards.

High quality filler materials for manual, semi-automatic and automatic steel and colour metal welding are employed in building construction, the automotive industry, mechanical industry, chemical industry, petrochemicals and power industry as well as repair welding.

PRODUCTION COMPRISES:

- Coated electrodes
- Welding wires and rods
- Cored wires, which can be used for welding any steel and for welding abrasion-resistant materials, cutting and gouging

PRODUCT PORTFOLIO:

- ELECTRODES - WELDING (MMA)
- WELDING WIRES FOR MIG, MAG TIG WELDING
- WELDING RODS FOR OXYACETILENE WELDING
- FLUX CORED WIRES (FCAW, MIG, MAG)
- AGLOMERATED FLUXES FOR SUBMERGED WELDING
- HIGH EFFICIENCY ELECTRODES

Products are certificate and tested according to the EN norms and our manufacturers hold the most important international certificates such as TUV, DB, GL, BV, LR, ABS, DNV, RINA, RS and others.

INOX R 19/9 NC HOBY

TYPE OF ELECTRODE ALU MN
E 308L-17



*More technical details available on request



*More technical details available on request

RUTILEN 13

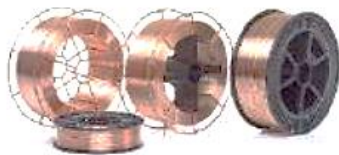
SUITABLE FOR STEELS UP TO:
510 MPa (N/mm²)



*More technical details available on request

VAC 65

SUITABLE FOR STEELS UP TO:
640 N/MM²
TYPE OF WIRE
SG3



*More technical details available on request

MIG 19/12/3 NC SI

TYPE OF WIRE
ER 318 SI



*More technical details available on request

TIG 19/12/3 NC SI

TYPE OF WIRE
ER 316 L SI



*More technical details available on request

- STEEL TUBES AND PIPE SUPPLIERS

- GAJMEK has the expertise in pipe section with reference to the various industrial standards ranging from the oil and gas industrial, construction industrial, marine, and mining Industry. We are sole distributers of various size of pipe and casing from China and India.

40M large diameter spiral long steel tube for South American Coastal Terminal



GUAM AIRPORT PROJECT



PERSONAL PROTECTIVE EQUIPMENT (PPE's) AND CAUTION SIGNS

Personal Protective Equipment (PPE) is essential to ensure the safety of your workers in potentially dangerous situations.

GAJMEK Engineer advise on the quality and grade of material of PPE's for needed for different environment, Weather, and Industry. We deliver with the mindset of Zero tolerance to Injury and defects.

We have PPE's for various activities include physical, electrical, heat, chemicals, biohazards, and airborne particulate matter. Protective equipment may be worn for job-related occupational safety and health purposes at all times. Range of PPE's includes respirators, protective cloth and wear for skin exposures, foots, ears and eyes. We also produce customized protective equipment customer will require to make their operations injury free.





ALL MATERIALS USED FOR PPE's ARE HUMAN BODY FRIENDLY.

SAFETY TRAINING

GAJMEK Engineering organizes safety awareness training for company drivers on the road with heavy industrial equipment and long vehicles on the following areas.

- + Equipment Daily Check (Daily Inspection).
- + Pre-trip Inspection (Trucks)
- + Pre-departure Inspection
- + Rest Stop Inspection.

GUARANTEES

All terms and conditions are subject to fair approval. GAJMEK Engineering are committed to and will deliver on time according to schedule except in cases where clients shall modify the services to be provided.

CONCLUSION

We are available to answer any question you may have and look forward to discussing this opportunity further. Due diligence would be performed in other to ensure compliance with your requirement in all situation.

We sincerely hope that you will consider us as a long-term partnership and allow us to enter a mutual beneficial relationship.

Thank you for your interest.

Location: Tema Michel Camp 4 Pools. P. O. Box CO 1475 Tema. **Takoradi**. P.O.Box MC 103 Takoradi.
0501517982. www.halmecengineering.com; info@halmecengineering.com.

Reference:

Below are few of our service customers

Tullow Oil

General Engineers Oil Services

Plot Group Ghana (Cocoa Processing)

Azim Road Credit Union.

Afrotropic Ghana (Cocoa Processing)

Atlantic Concrete & Atlantic Quarry Ghana

Johnson Warehouse

International Warehouse Company

...and many more....

